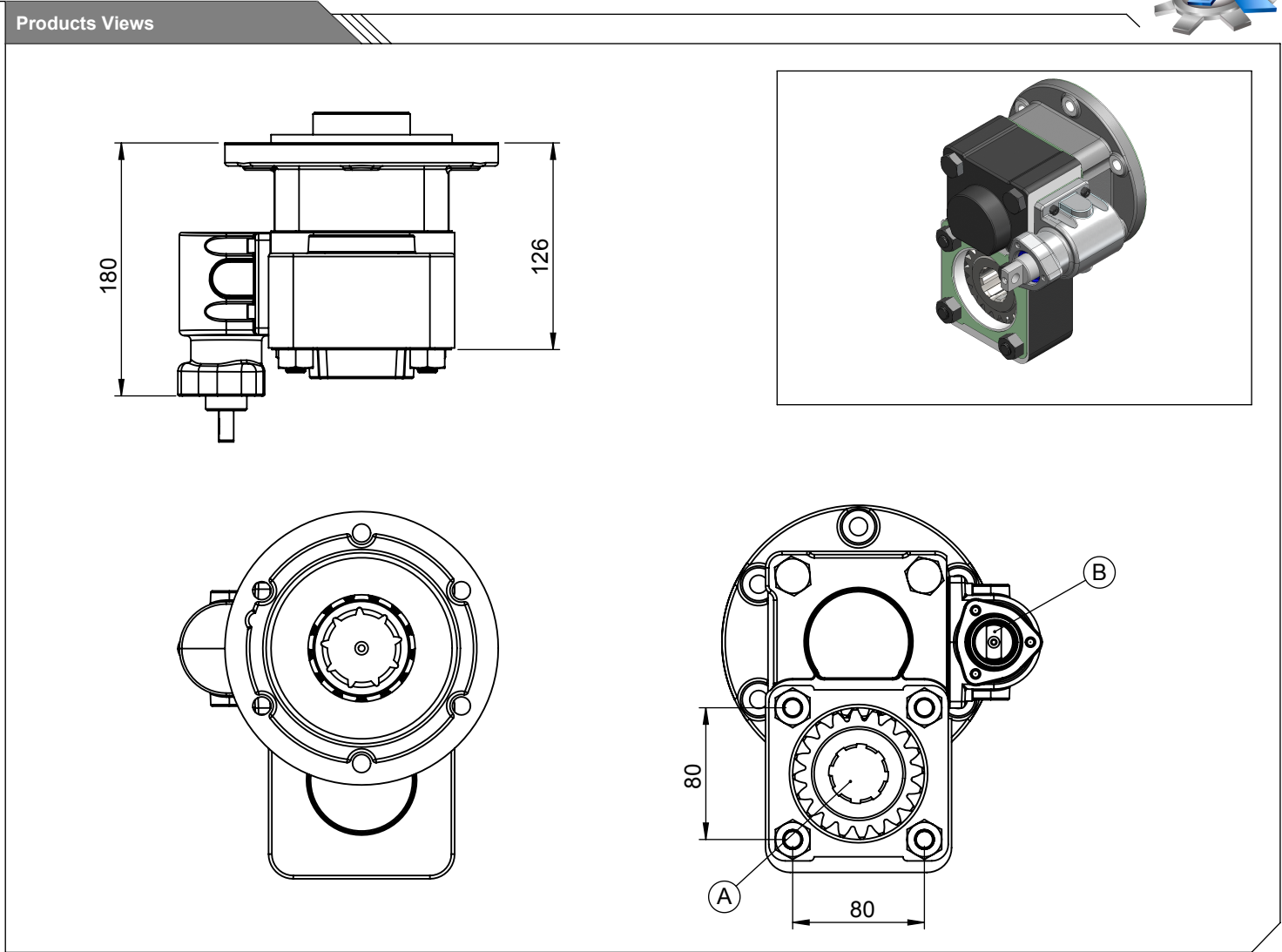


Vehicle Type	LAND ROVER
Gearbox Type	LAND ROVER R130, 43D140902G / 1CG50011BAF23

Product Code	LND.3.R130.KF
---------------------	----------------------



Component Details	
A : PTO Output (Standard DIN 5462 8X32X36 ISO 4 Bolt) Direct mounting UNI 3 bolt mtg. adapter Drive flange B: Mechanic Control	

Technical Details					
Power	Maximum Torque		Input/Output	Mounting Side	Control Type
<i>kW</i>	<i>Nm</i>	<i>kgm</i>			
32.85	313.9	32	1/1.2	Rear	Mechanic
				Weight	Sense of Rotation
				18 kg	Opposite of Input